

MJXT45X3长度精选机

MJXT45×3 长度精选机是利用整米和碎米长度差异的特性，在三个带袋孔滚筒的作用下，分选出整米和碎米，它主要用于碾米加工的尾道工序。一般情况下，与白米分级筛组合使用，可实现整米中不含碎米，碎米中不含整米，本机也可用于其它粮食的分级，是现代化碾米企业不可缺少的专用设备。

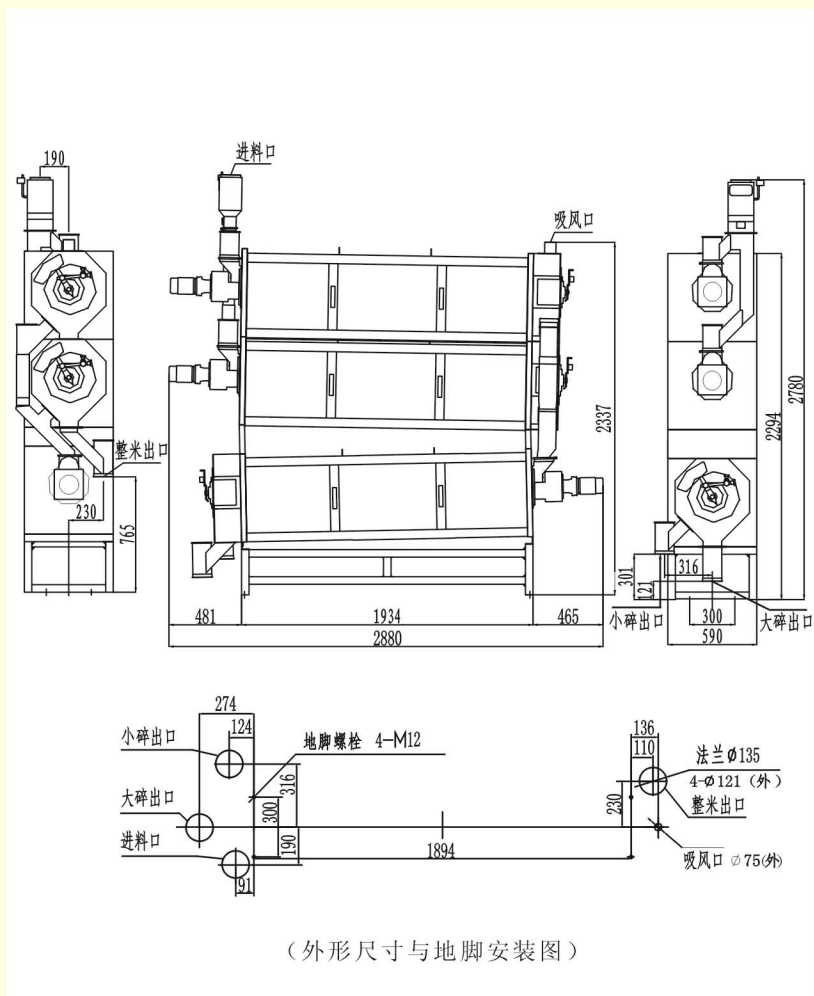
特点

- 采用三个筛筒组合的方式，占地面积小，操作方便。
- 模块化设计，结构紧凑，筛筒更换方便（可根据用户需要选配不同孔径的不锈钢或冷板冲压成形的筛筒）。
- 运行平稳，噪声小，分选效果好。
- 筛筒组合方式灵活可变，能满足不同工艺流程。

MJXT45×3 indented cylinder separate head rice and broken rice by taking advantage of the length difference between them. It is mainly used as final stage of rice milling processing. Usually, after processing via white rice grader, there are broken rice contained in head rice. The machine can separate broken rice from head rice as well as larger broken rice. Together with white rice grader, it can achieve no broken rice contained in head rice and no head rice in broken rice. The machine also suits for grading of other kinds of grain. It is a specialized equipment for modern rice milling plant.

Feature

- The machine adopts three-cylinder combination structure, small in occupation and easy to operate.
- With modularization design, compact construction, easy to change the cylinder.
- Steady running, low noise, better separating effect.
- It has many kind of combination mode, so suit for many different processing.



主要技术参数

型号 Type	MJXT45X3
处理量 Output(t/h)	1~1.2
动力配备 Power(kW)	0.55X3
筛筒转速 Cylinder rotary speed(rpm)	50
外型尺寸 Dimensions (L×W×H)mm	2880×590×2780
机重 Weight(kg)	560

通过ISO9001国际标准质量体系认证

E-mail: yongxiangmiji@sohu.com http://www.hbyxlj.com

地址: 湖北省安陆市府河大道8号

ADD: 8 FUHE AVE. ANLU CITY, HUBEI, CHINA

电话(TEL): 0712-5254443 5254445 5258762 传真(FAX): 0712-5254443 邮编(POSTCODE): 432600